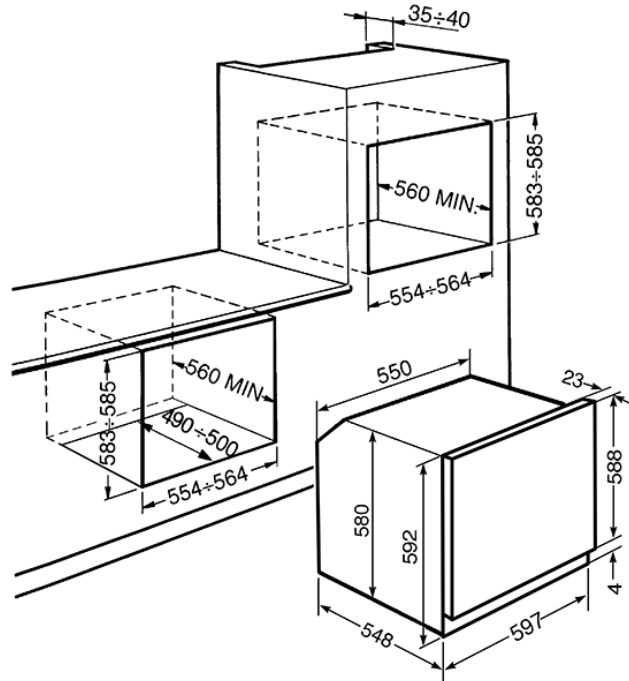


ELECTRIC THERMOVENTILATED OVEN, PYROLITIC,
60 CM, CLASSICA, ANTIFINGERPRINT STAINLESS STEEL,
ENERGY RATING: A
EAN13: 8017709195809



• **FUNCTIONS:** • Gross capacity: 79 lt • Net volume of the cavity: 70 l • 20 preset cooking programs • Large LCD display • Delay start and automatic end cooking program • Minute minder • Acoustic alarm • Electronic thermostatic controls • Automatic switch-off when door is opened • Door lock during pyrolysis • Temperatures: from 30°C to 280°C • NEROVISTA glass • Lighting when door is opened • 2 halogen lamps (40 W) • Limited power consumption mode • Electrical connection rating (W): 3000 W • Energy consumption per cycle in conventional mode: 1.09 kWh • Energy consumption per cycle in fan-forced convection: 0.85 kWh • Frequency (Hz): 50/60 Hz • Current (A): 13 A • Voltage (V): 220-240 V • **ACCESSORIES INCLUDED:** • Enamelled deep tray of 40 mm • Insert for tray • 2 grids with back stop and side stop • Pair partially extractable telescopic guides

Functions



Main Oven

Plus Main Oven