

SAB4304X

Blast chiller, Classica, Stainless steel, 45cm compact



TYPE

Product Family: Blast chiller • Category: 45cm compact • Vitality system: Yes • Cooling type: Fan assisted • Power supply: Electric • EAN code: 8017709250201

AESTHETICS

Colour: Stainless steel • Finishing: Fingerproof • Aesthetics: Classica • Component finish: Stainless steel • Material: Stainless steel • Type of steel: Brushed • Glass Type: Eclipse • Door: With 2 horizontal strips • Handle: Classic • Handle Colour: Steel effect

PROGRAMME / FUNCTIONS

No. of warming functions: 5 • N. cold functions: 5 • Automatic cleaning: Yes • Automatic programmes: 52 • Warming functions: Low Temperature Cooking, Defrost by time, Proving, Ready to eat, Defrost by weight • Cold functions: Cooling, Deep Freezing, Preservation, Bottles Cooling, Pre-cooling

CONTROLS

Control setting: Touch control

OPTIONS

Door open alarm: Yes • Minute minder: Electronic • Timer: 1 • Tones: Standard • Showroom demo option: Yes • Chronology: Yes, the last 10 functions utilized • Controls Lock / Child Safety: Yes • Cooking with probe thermometer: Yes • Cooling with probe: Yes • Other options: Clock settings, Demo mode, Child lock, Language setting, Digital clock display, Tones

TECHNICAL FEATURES

Net volume: 38,5 l • Compressor type: Standard • Noise level: 48 dB(A) • Temperature control: Electronic • Minimum Temperature: -35 °C • Maximum temperature: 75 °C • Cavity material: Stainless steel • No. of shelves: 3 • Shelves type: Metal racks • Display / Clock: TFT graphic , colour touch screen • No. of lights: 1 • Light type: Halogen • Light Power: 20 W • Light when door is opened: Yes • Door opening type: Standard opening • Safety Thermostat: Yes • Heating suspended when door is opened: Yes • Upper heating element - Power: 250 W • Dimensions of the product (mm): 450x597x548

ELECTRICAL CONNECTION

Voltage: 220-240 V • Electrical connection rating (W): 270 W • Frequency (Hz): 50 Hz • Power supply cable length: 200 cm

LOGISTIC INFORMATION

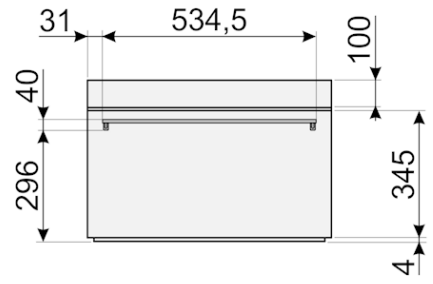
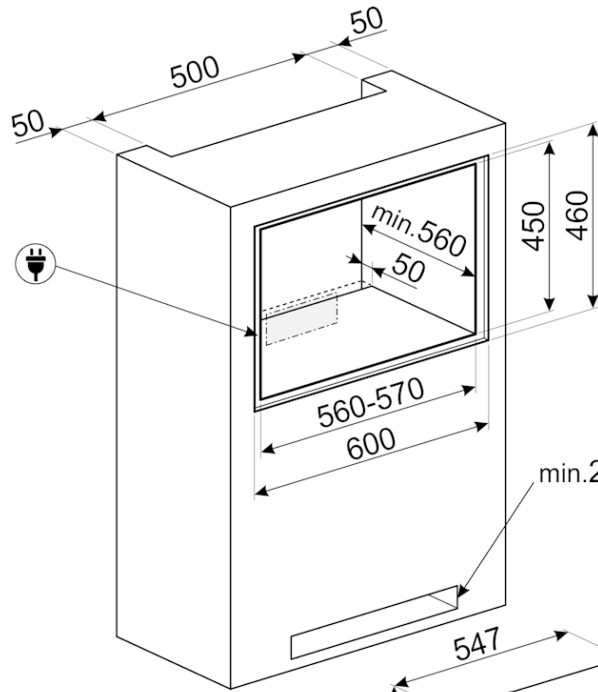
Width (mm): 597 mm • Depth (mm): 548 mm • Net weight (kg): 40.000 kg • Gross weight (kg): 45.000 kg • Product Height (mm): 450 mm

ACCESSORIES INCLUDED

Bottle rack grid: 1 Grid with back stop: 1 Temperature probe: Yes Other: Microfiber cloth

OPTIONAL

SMOLD: Moulds Set, Ovens, Blast chillers



min.200cm²

