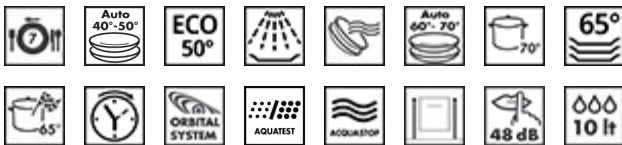


## STC75

Dishwashers, Universale, Fully-integrated built-in , 60 cm, Number of place settings: 7, A



### TYPE

Product Family: Dishwashers • EAN code: 8017709098384 • Commercial height: Compact • Number of place settings: 7 • Commercial width: 60 cm • Installation: Fully-integrated built-in

### AESTHETICS

Aesthetics: Universale • Buttons colour: Black • LED/display colour: Green • Front panel colour: Stainless steel • Door type: Galvanized

### PROGRAMS / FUNCTIONS

Auto 40-50: Yes • ECO: Yes • Soak: Yes • Mix Express: Yes • Plate rack/warmer: Yes • Auto 60-70: Yes • Rapid 27': Yes • Super: Yes • Washing temperatures: 38°, 45°, 55°, 65°, 70° °C • Mix: Yes • N. of programmes: 10 • Glass: Yes • Strong and fast: Yes

### OPTIONS

Options for tabs FlexiTabs: Yes • Delay timer option: Up to 9 hours

## BASKETS

Basket colour: Stainless Steel • Largest loadable dish in upper basket: 23,5 cm • Basket components colour: Grey • Lower Basket: With completely foldable racks and glass holder • Handle: In plastic only on lower basket • Largest loadable dish in lower basket: 32 cm • Basket with anti-drip system: Yes

## TECHNICAL FEATURES

Drying system: Natural condenser drying • Washing system: Orbital • Turbidity sensor Aquatest: Yes • End of cycle indicator: Led on display, with acoustic signal • Salt light indicator: Light • Water supply: Single; cold/hot water max. 60°C - energysave with hot water up to 35% • Display: Delayed start • Steam protection: In plastic • Concealed heating element: Yes • Max water hardness: 100°F/58°dH • Min. and max. frontal panel weight: 1,4 - 4,7 / 1 - 4,7 kg • On/off indicator: Yes • Internal light: With White led • Controls: Electronic • Hinges: Self balancing with variable triple effect hinges • Rinse aid indicator: Light • Flood protection system: Total Acquastop • Can be installed in-column: Yes • Motor: Single phase • Tub material: Stainless steel • Filter: Stainless steel • Third spray arm: Single • Water softener: With electronic setting

## PERFORMANCE / ENERGY LABEL

Energy consumption - stand by on mode: 0.80 W • Annual energy consumption: 208 kWh/a • Energy consumption - stand by off mode: 0.02 W • Noise level: 48 dB(A) re 1pW • Water consumption per cycle (l/cycle): 10 l • Total cycle time of reference programme (min): 150 min • Duration of the stand by on mode (min): 5 min • Energy efficiency class: A • Drying performance: A • Energy consumption per cycle (kWh/cycle): 0.730 kWh • Annual water consumption: 2800 l • Reference programme: ECO

## ELECTRICAL CONNECTION

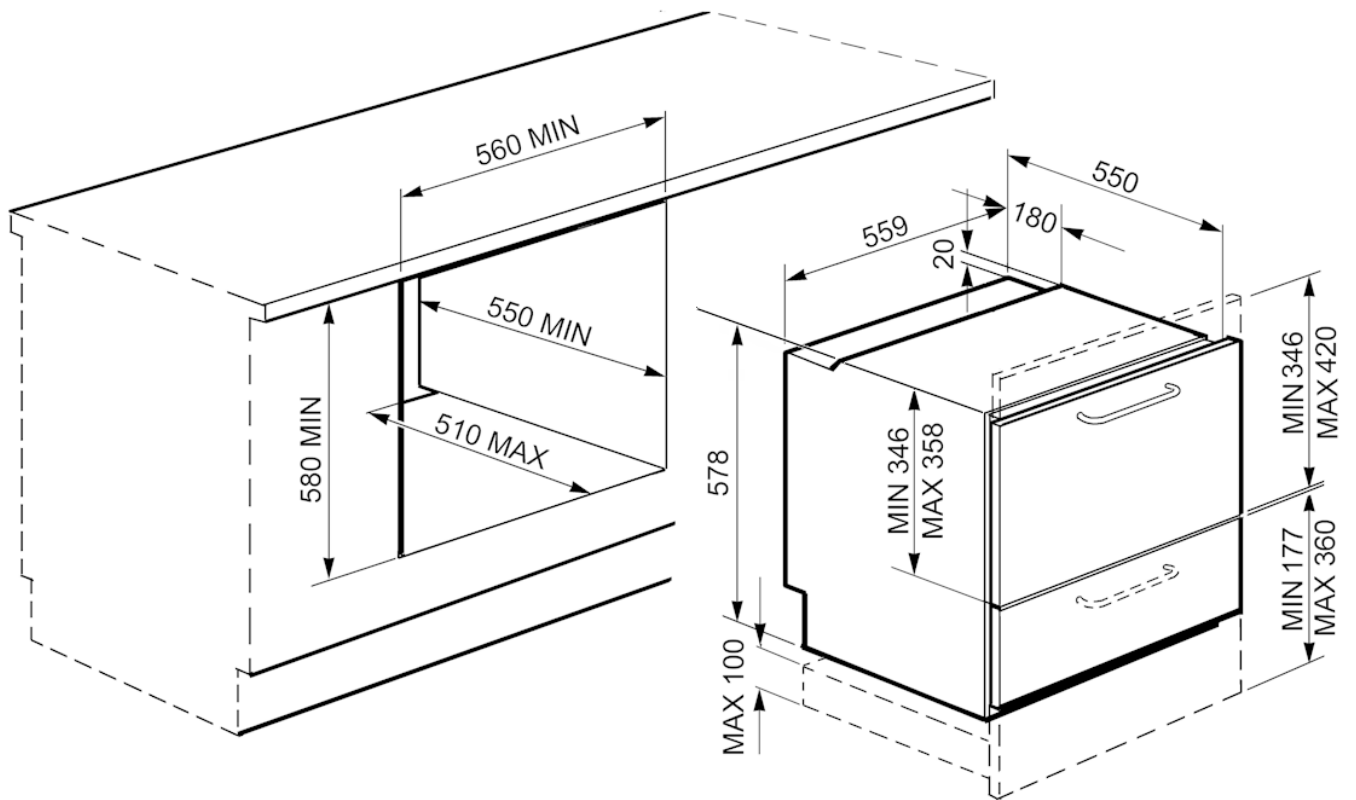
Connected power: 1800 W • Voltage: 220-240 V • Type of connection: Single-phase • Frequency (Hz): 50 Hz • Power supply cable length: 140 cm

## LOGISTIC INFORMATION

Dimensions of the product HxWxD (mm): 598x598x550

## OPTIONAL

KITPLV2: Extension kit, DishwashersKIT73636X: Panel, DishwashersKIT73624X: Panel, DishwashersKITGH: Glass holder kit, Dishwashers



attenzione: dimensioni riferite ad installazione con pannelli di spessore 20 mm.  
Per pannelli di spessore diverso, consultare il manuale di installazione completo.