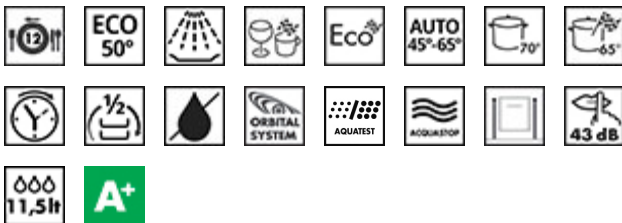
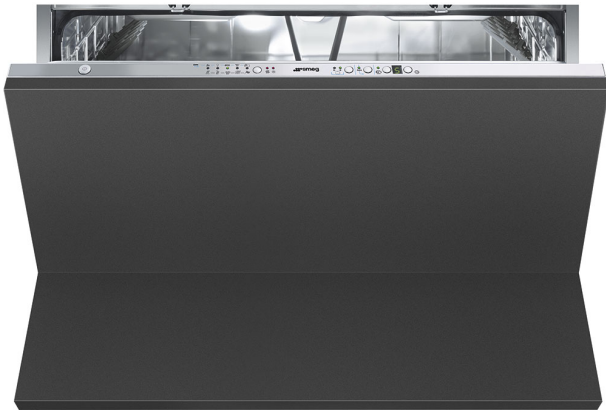


## STO905-1

Dishwashers, Universale, Fully-integrated built-in , Horizontal, 90cm, Number of place settings: 12, A+



### TYPE

Product Family: Dishwashers • EAN code: 8017709184810 • Commercial height: Compact • Number of place settings: 12 • Commercial width: Horizontal, 90cm • Installation: Fully-integrated built-in

### AESTHETICS

Aesthetics: Universale • Buttons colour: Silver (silver 2008 ST) • LED/display colour: Green • Front panel colour: Stainless steel • Door type: Titanium

### PROGRAMS / FUNCTIONS

ECO: Yes • Soak: Yes • Mix Express: Yes • Delicate and Quick: Yes • ECO Quick: Yes • Auto sensor 45-65: Yes • Rapid 27': Yes • Super: Yes • Washing temperatures: 38°, 45°, 55°, 65°, 70° °C • N. of programmes: 6+4 quick programmes • Glass: Yes • Strong and fast: Yes

### OPTIONS

Options for tabs FlexiTabs: Yes • Delay timer option: Up to 9 hours • 1/2 load FlexiZone option: Yes • Intensive wash zone option: Yes, for Left and Right area • Quick Time option: Yes

## BASKETS

N° baskets: 2 • Basket colour: Stainless Steel • Basket components colour: Grey • Lower Basket: With completely foldable racks and glass holder • Lower basket with anti-drip inserts: Yes • Largest loadable dish in lower basket: 32 cm • Basket with anti-drip system: Yes

## TECHNICAL FEATURES

Drying system: Natural condenser drying • Washing system: Double orbital • Turbidity sensor Aquatest: Yes • End of cycle indicator: Acoustic signal • Salt light indicator: Light • Water supply: Single; cold/hot water max. 60°C - energysave with hot water up to 35% • Adjustable feet: Just for levelling • Display: Delayed start • Steam protection: In plastic • Display type: LED display (1 digit) • Concealed heating element: Yes • Max water hardness: 100°FH;58°dH • Min. and max. frontal panel weight: 2,2 - 7 / 1,5 - 5 kg • On/off indicator: Yes • Internal light: With White led • Controls: Electronic • Hinges: Self balancing with variable triple effect hinges • Rinse aid indicator: Light • Flood protection system: Total Acquastop • Can be installed in-column: Yes • Motor: Single phase • Tub material: Stainless steel • Filter: Stainless steel • Third spray arm: Double • Water softener: With electronic setting

## PERFORMANCE / ENERGY LABEL

Energy consumption - stand by on mode: 0.80 W • Annual energy consumption: 289 kWh/a • Energy consumption - stand by off mode: 0.02 W • Noise level: 43 dB(A) re 1pW • Water consumption per cycle (L/cycle): 11.5 l • Total cycle time of reference programme (min): 190 min • Duration of the stand by on mode (min): 5 min • Energy efficiency class: A+ • Drying performance: A • Energy consumption per cycle (kWh/cycle): 1.010 kWh • Annual water consumption: 3220 l • Reference programme: ECO

## ELECTRICAL CONNECTION

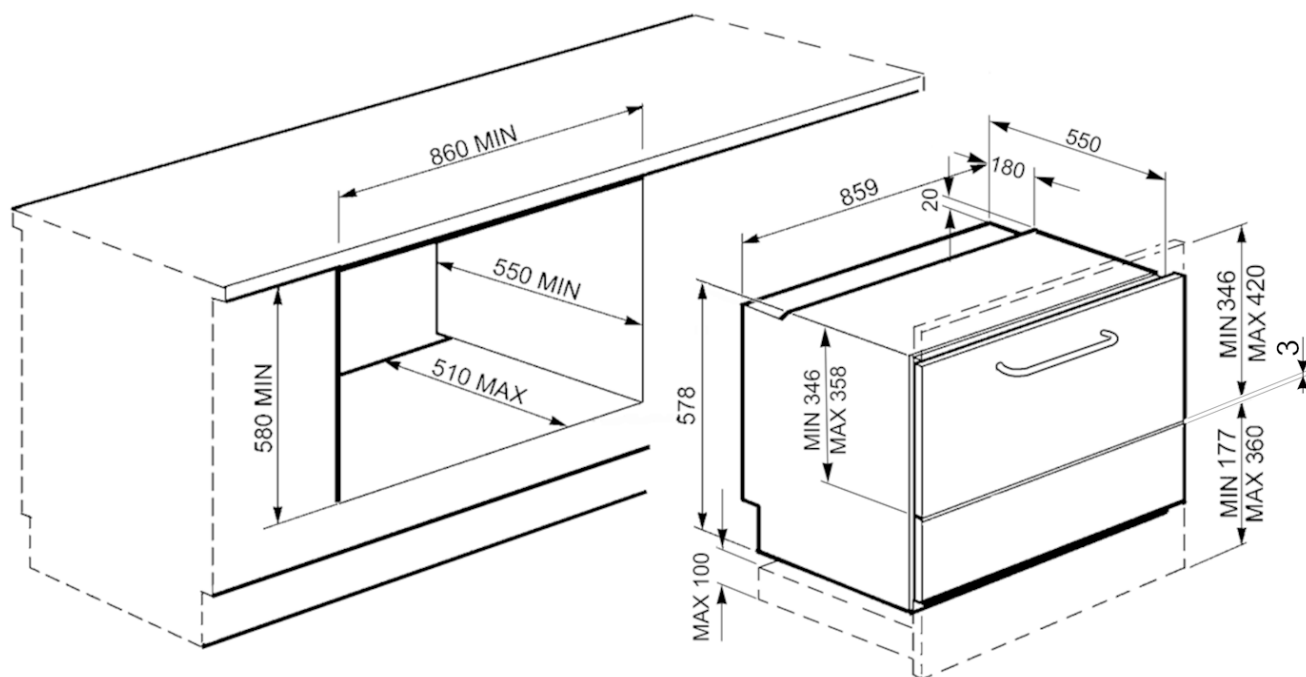
Connected power: 1800 W • Voltage: 220-240 V • Type of connection: Single-phase • Frequency (Hz): 50 Hz • Power supply cable length: 140 cm

## LOGISTIC INFORMATION

Dimensions of the product HxWxD (mm): 578x860x550

## OPTIONAL

KITPLV2: Extension kit, DishwashersKITg3636X: Panel, DishwashersKITg3624X: Panel, Dishwashers



attenzione: dimensioni riferite ad installazione con pannelli di spessore 20 mm.  
Per pannelli di spessore diverso, consultare il manuale di installazione completo.